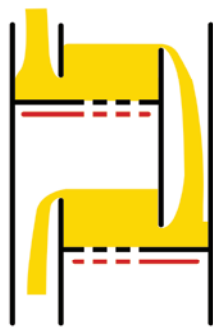
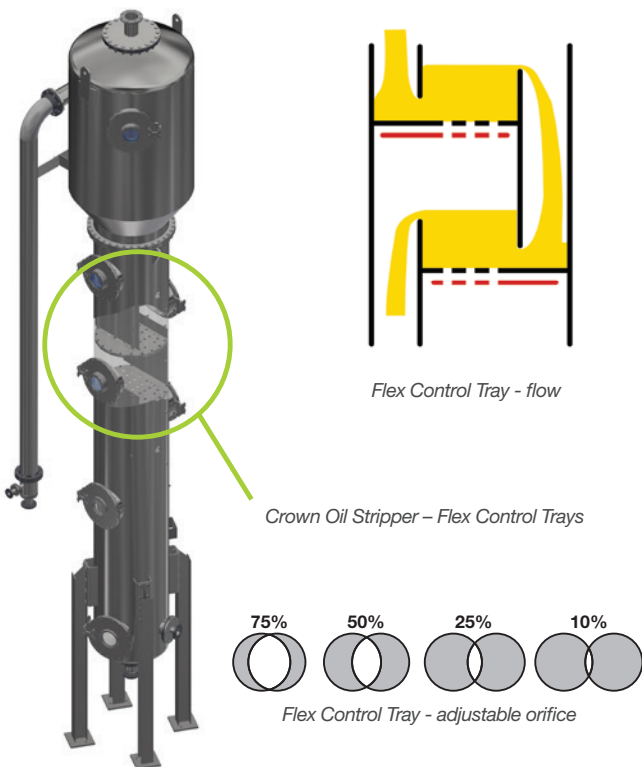




**Optimize** steam use.  
**Eliminate** fouling shutdowns.

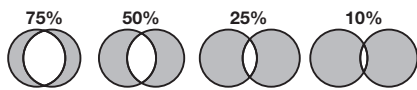


## FLEX CONTROL TRAY™ OIL STRIPPER



*Flex Control Tray - flow*

*Crown Oil Stripper - Flex Control Trays*



*Flex Control Tray - adjustable orifice*

CPM Crown's revolutionary tray design leads the way.

Eliminate the shutdowns caused by oil stripper fouling with an innovative, patent-pending Crown solution. The FLEX CONTROL TRAY™ OIL STRIPPER features flexible, easy-to-adjust orifices to optimize steam flow and agitation to get the best performance in all circumstances. With this simple yet revolutionary technology, you gain superior steam control and increased efficiency to keep your plant running productively and profitably more days per year.

Delivers **35%+ reduction**  
in energy requirements

### Flex Control Tray™ Oil Stripper advantages:

- Maximizes active area increasing tray efficiency
- Delivers **35%+ reduction** in energy requirements at improved or equivalent residual hexane ppm vs. disc and donut technology
- Eliminates shutdowns due to oil stripper fouling and flooding
- Currently achieving significant uptime improvements at commercial sites, resulting in days to weeks of increased revenue
- Dynamic orifices adjust to your production demands
- You control tray steam flow and pressure drop to optimize efficiency for various plant conditions
- Flexible design allows replacement oil stripper to fit in existing space limits
- Commercially proven
- Expandable design: trays can be easily added and adjusted to accommodate increase in capacity
- Alternate tray design available without external control; still has the flexibility to adjust

### A simple innovation to improve your operation.

Crown's FLEX CONTROL TRAY™ OIL STRIPPER is an industry breakthrough from the global leader in the oilseed processing industry. By rethinking conventional trays, Crown brings greater efficiency and reliability to oil-strippers in extraction plants.

Designed to support the widest number of solvent

plants, this new technology adapts and can be optimized to varying plant conditions. Regardless of existing equipment, operators can easily replace low-functioning, static oil-stripper trays with Crown's FLEX CONTROL TRAY™ OIL STRIPPER.

### For game-changing innovation, partner with Crown.

CPM Crown's Global Innovation Center is a facility unlike any other. A fully functional 15,000 sq. ft. pilot plant, analytical lab and training facility, the GIC offers piloting capabilities from benchtop lab scale to multiple tons per day of continuous production, simulating real life and enabling customers to develop and test new product concepts in a confidential, controlled environment. The GIC has capabilities in preparation, extraction, desolventizing, drying, deodorizing, refining, fat splitting, renewable diesel and specialty extraction (including Hemp CBD Oil). Crown's technical expertise, R&D and full lifecycle process provide guidance and support at every step from feasibility, trials and custom processing to commercial-sized operations and aftermarket.



Feeding, Fueling and Building **a Better World.**



[crownsales@cpm.net](mailto:crownsales@cpm.net) | +1.651.639.8900 | [crowniron.com](http://crowniron.com) | [OneCPM.com](http://OneCPM.com)